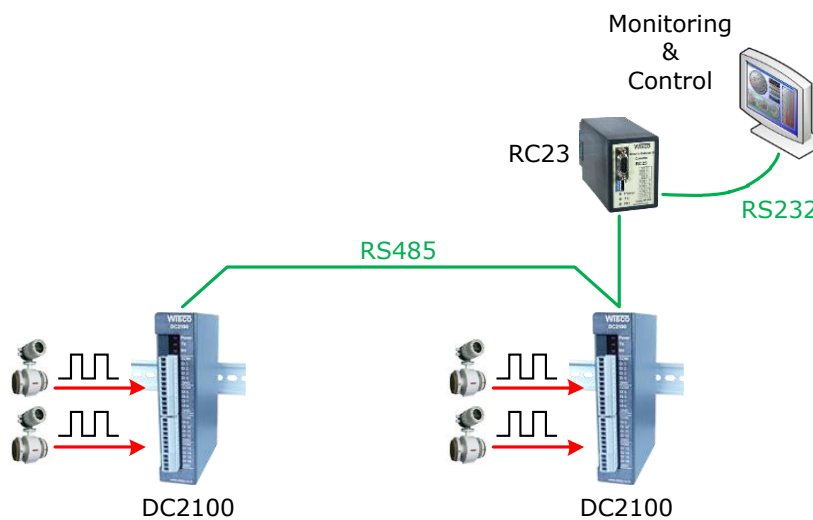


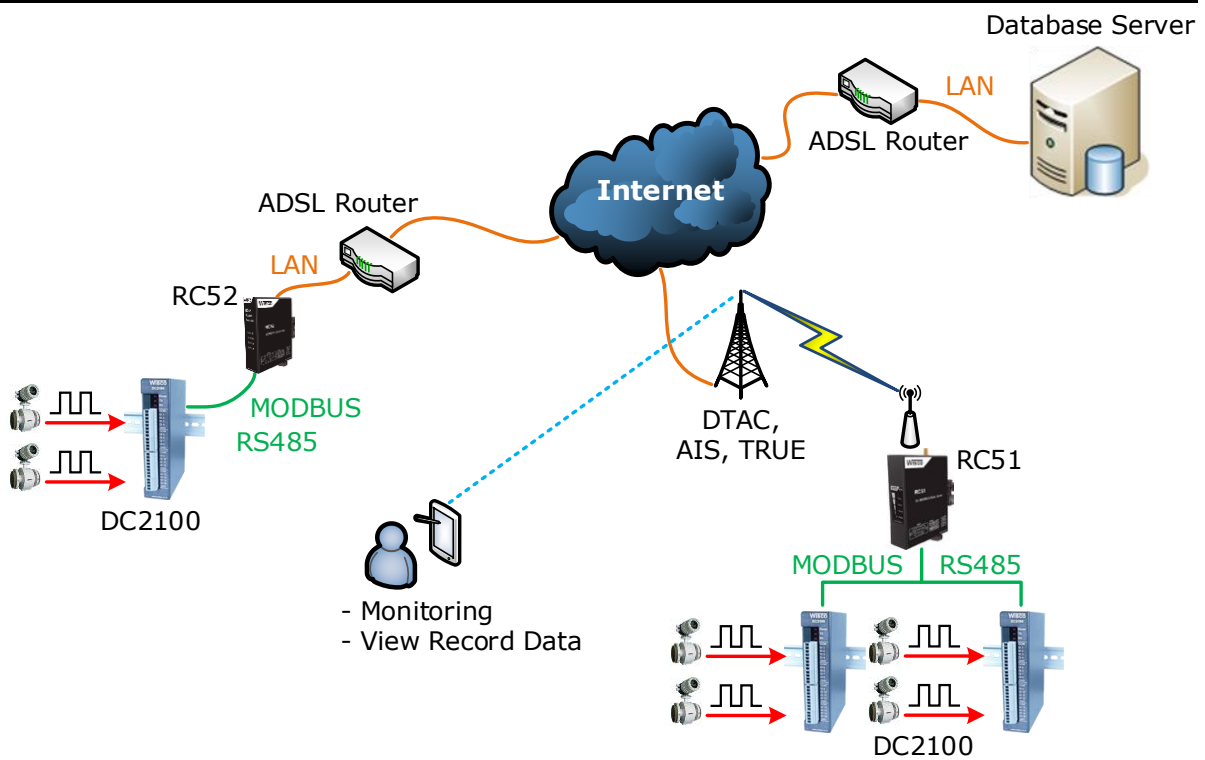
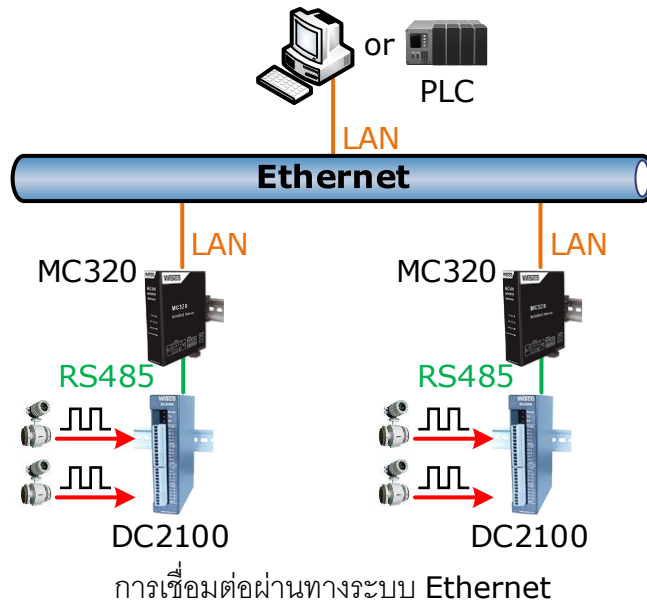
# Digital Counter Module DC2100



- 16 Digital Input Channels
- Channel 1-8 can be Programmable (Status, Counter, Frequency)
- Support Protocol MODBUS RTU or ASCII Command
- Support Quadrature Counter, Frequency (Hz) Mode

**Digital Counter Module DC2100** Consist of 16 Digital Inputs which are capable for Source, Sink and Dry Contact. Channel 1 - 8 are able to program input as Status, Counter or Frequency. Computer PC and PLC can connect to device using Port RS485 communication. Counter and Rate can be read using Modbus Protocol (MODBUS ASCII or RTU)





การนำข้อมูลจาก DC2100 ไปบันทึกที่เครื่องคอมพิวเตอร์เซิร์ฟเวอร์

## Specifications

### Serial Interface

#### Serial Standards:

RS485 (Isolated) 3 Pin Terminal Block

**Loading:** RS485 Max 32 Unit

**Distance:** RS485 Length 1 Km.

**Protocol:** MODBUS ASCII/RTU

**Supply Software:** Citect, Wonderware, LAB View etc.

### Serial Parameter

**Baud Rate:** 4800, 9600, 19200, 57600

**Data Bits:** 8

**Stop Bits:** 1

**Parity:** None

### Digital Input

**Number of Channel:** 16 Channels

**Sensor Type:** Wet Contact or Dry Contact

#### Wet Contact (DI to COM):

ON: 12 to 24 VDC

OFF: 0 VDC

#### Dry Contact (DI to GND):

ON: Short to GND

OFF: Open

**Status Mode:** ON, OFF

### Ordering Information:

Example DC2100

### Package Checklist

1. DC2100

**Counter Mode:** Add, Subtract, Up/Down, Preset (Up/Down), Run/Hold, Quadrature, Frequency (Hz)

### Frequency Mode:

Low: 0.1 Hz

High: 100 Hz

**Minimum Pulse Width:** 2 msec.

**ADC Resolution:** 32 Bits

**Isolation:** Opto Isolated

### Power Requirements

**Power Supply:** 12 to 35 VDC

### Power Consumption

**Standby:** 30 mA @ 12 VDC

### Environmental Limits

**Operating Temperature:** 0 to 55 °C

**Operating Humidity:** 5 to 95% RH

**Storage Temperature:** 0 to 70 °C

### Physical Characteristics

**Dimension:** W88 x H133 x D31 mm.

**Mounting:** DIN Rail

### Warranty

**Warranty Period:** 5 Year